

VS
SASSOON



CORD KEEPER 2000

INSTRUCTION BOOKLET

Please ensure you read & follow the styling instructions
before using for the first time.

VS289A

**NEVER
UNDERESTIMATE
THE POWER OF
A WOMAN WITH
GOOD HAIR**

SEE AMAZING, BE AMAZING

For all our style tutorials
check us out online
vssassoon.com.au





IMPORTANT SAFETY INSTRUCTIONS

The following safety precautions should always be followed when using electrical appliances, especially when children are present in your household. Please read these instructions carefully & keep for future reference.

Polythene bags over product or package may be dangerous. To avoid danger of suffocation, keep this wrapper away from babies & children. This bag is not a toy.

DANGER:

- Do not use this appliance in or near bathtubs, showers, basins or other vessels containing water - keep the appliance dry.
- When this appliance is used in a bathroom, unplug it after use given the proximity of water hazards are present even when the appliance is switched off.
- If this appliance falls into water, unplug it immediately - **DO NOT REACH INTO THE WATER.**
- Do not immerse the appliance into water or other liquids.



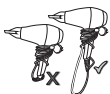
WARNING: Before & During Use

- Before using, always ensure that the voltage marked on the appliance is the same as your local power voltage.
- Do not operate this appliance or disconnect from the power supply with wet hands.
- Never use this appliance at the same time as styling products such as aerosols (spray).
- Be very careful when handling this appliance as parts of it may get extremely hot.
- Do not place the appliance on any heat sensitive surfaces or near flammable materials or objects.
- Keep the cord away from heated surfaces.

- Never block the air openings of the appliance or place on a soft surface such as a bed or couch where the air openings may be blocked - keep the air openings free of lint & other debris.
- Do not cover this appliance with anything when it is switched on or hot.
- To avoid electric shock, do not drop or insert any object into an opening in this appliance.
- This is a high heat appliance. Care must be taken to avoid the hot surfaces of the appliance coming into direct contact with the skin, in particular the eyes, ears, face & neck.
- Do not use an extension cord with this appliance.

WARNING: Storage & Maintenance

Always unplug the appliance immediately after use & before cleaning or maintenance.



Do not wrap the power cord tightly around the appliance when storing. This causes undue strain on the power cord & protective guard. Over time, this will damage the power cord resulting in an unsafe condition to the user.

- If the power cord is damaged it must be replaced by the manufacturer, its service agent or similarly qualified persons in order to avoid a hazard.
- Do not leave the appliance unattended when plugged in or switched on.
- Always allow the appliance to cool down before storing away in a location where children cannot reach it.
- Do not store or place this appliance in a location where it can fall or be pulled into a bath or sink.
- Never operate this appliance if it has been dropped or damaged, or if it is not working correctly.
- If this appliance is serviced by an unqualified person this could result in an extremely hazardous situation for the user. Contact Conair Customer Service if you have any issues operating your appliance.

CAUTION:

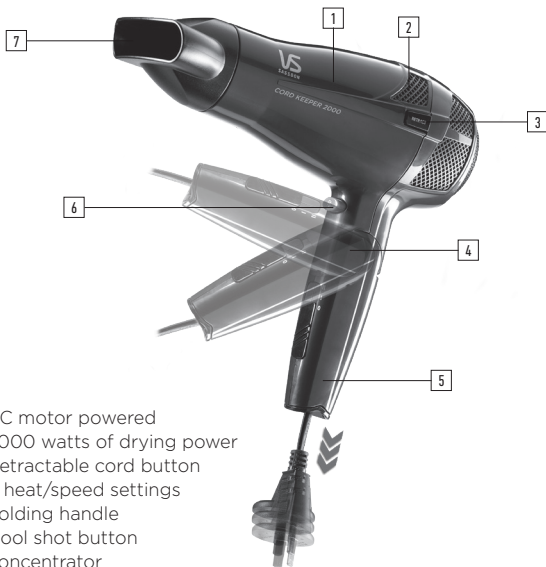
- This appliance is not intended for use by infirm persons (including children) with reduced physical, sensory or mental capabilities, or lack of experience & knowledge unless they have been given supervision or instruction concerning use of the appliance by a person responsible for their safety.
- Children should be supervised to ensure they do not play with the appliance.
- Use this appliance only for its intended use & as described in this instruction booklet. This appliance is not intended for commercial use.
- Do not use any attachments other than those supplied by Conair Australia Pty Ltd.
- For additional protection, the installation of a residual current device (RCD) with a rated operating current not exceeding 30mA is advisable in the electrical current circuit supplying the bathroom - ask your installer for advice.

CORD KEEPER 2000

DRYER

AMAZING CHOICE!

You'll love the design of this full size dryer, made compact! This DC motor dryer has a unique cord keeper system that makes the power cord disappear inside the dryer handle! Simply press the button & watch the power cord retract! Plus the folding handle makes it perfect for small storage spaces.



1. DC motor powered
2. 2000 watts of drying power
3. Retractable cord button
4. 2 heat/speed settings
5. Folding handle
6. Cool shot button
7. Concentrator

HOW TO USE THE CORD KEEPER 2000 DRYER

IMPORTANT:

Hair that has been heavily bleached or chemically treated should only use the low heat setting on this product. Please consult your hairdresser on using heated appliances if you have any concerns about the condition of your hair.

CAUTION:

Take care not to direct the airflow directly onto the skin (e.g. scalp, neck ears, face, etc.) as hot air from the dryers can, particularly if held too close, cause discomfort or even burn.

BEFORE USING

- Remove all packaging & point of sale labels before use.
- Remove plastic cover from plug before use (used to protect it from damage during transportation).

CORD KEEPER FUNCTION

Unwind the cord by simply pulling the power cord down until the red marker is visible. It's important to make sure you pull gently and stop when you see the marker in order to avoid damaging the cord over time. To rewind the power cord after use, simply press the 'retract' button. The cord rewinds very quickly: to avoid injury, hold the plug with one hand while pressing the 'push' button with the other.

CAUTION: Always make sure the power cord is completely unwound before turning on the hairdryer.

OPERATING INSTRUCTIONS

Wash, condition & towel dry your hair.

1. Make sure the switch is set to the off ('0') setting before plugging into a 230-240V- suitable power outlet.
2. Use the high heat/speed (II) settings for initial drying.
3. Switch to the low heat/speed (I) settings as the hair begins to dry, for styling & scrunch drying.
4. To finish, use the cool shot to rapidly cool the hair & set the style in place.

Allow the dryer to cool, before storing away.

FOLDING HANDLE

To fold the handle, simply push the handle towards the barrel of the hairdryer to the closed position. To unfold, simply pull the handle into the upright position.

HOW TO STYLE WITH THE CORD KEEPER 2000 DRYER

STRAIGHT

Create a smooth straight look by using your dryer with the ultra-slim concentrator nozzle. Divide your hair into sections & hold the hair taut using a brush whilst directing the airflow down the hair shaft.

VOLUME

Create tousled natural-looking waves with lots of volume by using your dryer without the nozzle. Flip your head upside down. Grasp your hair at the roots & scrunch between your fingertips whilst drying. When dry, finger comb to arrange your hair as required. Keep it casual & tousled for maximum volume.

EXPERT TIP

Set your style with the cool shot setting & finish with a spritz of light hold hair spray, for extra hold if needed.

SEE AMAZING, BE AMAZING

For all our style tutorials
check us out online
vssassoon.com.au



CLEANING & MAINTENANCE

Blocked or clogged air intake vents will cause the dryer to overheat. The rear filter should be checked & cleaned on a regular basis - to help maintain optimum performance & prevent overheating.

Unplug the dryer & allow to cool completely before cleaning or storing.

- Using a soft brush, clean any hair & other debris that may build up in the filter.

If overheating occurs, an automatic safety device will shut the dryer or the heat off to prevent damage or personal injury. If the dryer or heat turns off, unplug the cord & allow the dryer to cool for 15 minutes before restarting. Make sure the air vents are 100% clean .

LIMITED 2 YEAR WARRANTY

Retain this section of the warranty card with your receipt/proof of purchase. You must present it to obtain replacement or service under the warranty.

The warranty may only be claimed where proof of original purchase is presented, i.e. original purchase receipt or invoice.

Attach a copy of your purchase receipt and store in a safe place.

To make a warranty claim, call Customer Service on the phone number or email below. Or you can return the defective product back to the place it was purchased where it will be replaced (see point 12 of paragraph C. Conditions).

Please provide the following details:

1. Date of purchase
2. Retailer Name & Location
3. Product Name/Model Number
4. Confirm you have your purchase receipt
5. Detail the problem with your product

Conair Australia Pty Ltd

PO Box 146
Terrey Hills
NSW 2084

Customer Service

Australia
1800 650 263
email : aus_info@conair.com

Conair New Zealand Ltd

PO Box 251159
Pakuranga, Auckland
New Zealand 2140

Customer Service

New Zealand
0800 266 247
email: aus_info@conair.com

WARRANTY AGAINST DEFECTS

A. AUSTRALIAN CONSUMER LAW

1. Our goods come with guarantees that cannot be excluded under the Australian Consumer Law. You are entitled to a replacement or refund for a major failure and compensation for any other reasonably foreseeable loss or damage. You are also entitled to have the goods repaired or replaced if the goods fail to be of acceptable quality and the failure does not amount to a major failure.
2. The guarantees under the Australian Consumer Law (“ACL”) are provided in sections 51 to 59 inclusive of the ACL (“Statutory Guarantees”) and the remedies are provided in sections 259 to 266 inclusive of the ACL (“Statutory Remedies”).

B. VS SASSOON EXTENDED WARRANTY

1. In addition and subject to the Statutory Guarantees and Statutory Remedies, the following express warranty (“Warranty”) commences from the date of purchase and continues for a period of 24 months (“Warranty Period”) after which it expires. Subject to the conditions in Section C below, Conair warrants to the original purchaser (“Purchaser”) of the VS Sassoon product that is the subject of this warranty (“Product”) that if during the Warranty Period, the Product suffers from any defect caused by faults in materials or workmanship, Conair will a) replace the Product, or b) exchange defective parts in the Product or c) repair the Product, as Conair may choose in its discretion (“Warranty”). In this Warranty “Conair” means Conair Australia Pty Limited (ABN 64 068 492 044) of The Equinox Centre, Suite 101, 18 Rodborough Rd, Frenchs Forest, NSW, 2086. in relation to Products purchased in Australia and Conair New Zealand Ltd in relation to Products purchased in New Zealand.
2. To honour the Warranty, Conair must replace, or exchange parts in, or repair, the Product, as Conair determines, in accordance with paragraph B1 above, subject always to the conditions in Section C below.
3. If any of the conditions in Section C below are inconsistent with any provisions of the ACL or regulations made thereunder, those provisions of the ACL or regulations shall prevail to the extent of the inconsistency.

C. CONDITIONS

1. The Product must be used in accordance with manufacturer's instructions. This Warranty does not apply should the defect in or failure of the Product be attributable to misuse, abuse, accident, act of God such as lightning, or nonobservance of manufacturer's instructions on the part of the user. This Warranty does not cover ordinary wear and tear in the Product or its parts.
 2. Conair does not accept liability for a) any loss or damage however suffered, caused by or arising out of any failure to use the Product in accordance with the manufacturer's instructions, and b) any indirect, consequential or economic loss or damage however caused.
 3. This Warranty is immediately void if - a) any serial number or appliance plate is removed or defaced, b) the Product has been serviced or otherwise repaired by a person not authorized to do so by Conair or where non approved replacement parts are used.
 4. The Product is designed for domestic use only. The Product must be connected to the electrical voltage supply as specified in the ratings label located on the Product. This Warranty does not cover defects arising from non-domestic use or incorrect voltage supply.
 5. This Warranty may only be claimed against where proof of original purchase is presented, for example, original receipt or invoice.
 6. Any parts of the Product that need to be replaced, or if the whole Product needs to be replaced, the replaced Product, becomes the property of Conair. The Warranty on any replacement Product or parts will expire on the same date that the Warranty Period on the original Product expires.
 7. The benefits provided by this Warranty are in addition to all other rights and remedies in respect of the Product which the Purchaser has under the ACL, and applicable laws in New Zealand, which rights and remedies by law may not be excluded. All other warranties and representations express and implied are hereby excluded.
 8. The defect must have occurred during the Warranty Period and Purchaser bears the onus of proving that fact, and that the defect was not caused by any of the causes excluded from this Warranty.
 9. This Warranty does not cover Products purchased from any person who is not a retailer serviced by Conair's authorised distributors or purchased second hand.
-

10. The Purchaser is responsible for all postage and freight charges and any other expenses incidental to claiming against this Warranty.
11. The Warranty excludes consumable items (such as blades or brushes) and normal wear and tear.
12. If you're certain your product is defective, and the product is covered by the terms of this warranty, you need to take the product back to the place you purchased it from, where the retailer will replace the product for you on our behalf. In this event, per the terms of this warranty you will need to present this portion of the warranty card and the purchase receipt as proof of purchase so please make sure you keep both this card and your receipt on hand for the duration of the warranty period.

SPARE PARTS

Replacement parts may be available for your product. Contact us on the phone or email address provided for more details. Please provide your product name/model number details, date of purchase and part you require.



Vidal Sassoon and related logos
are trademarks of the Procter &
Gamble Company used under
license by Conair

©2023 Conair Australia Pty Ltd
Suite 101, 18 Rodborough Rd
Frenchs Forest NSW, 2086
Australia

Conair New Zealand Limited
PO BOX 251159
Pakuranga, Auckland 1706
New Zealand

CONTACT US:

For advice, tips on your new VS
product
E-mail us on: aus_info@conair.com

CUSTOMER SERVICE:

Australia: 1800 650 263
New Zealand: 0800 266 247

vssassoon.com.au

VS289A

SEE
AMAZING
BE
AMAZING