

IMPORTANT SAFETY INSTRUCTIONS

When using electrical appliances, especially when children are present, basic safety instructions should always be followed, including the following: Polythene bags over product or package may be dangerous. To avoid danger of suffocation, keep this wrapper away from babies and children. This bag is not a toy.

DANGER: When the unit is used in a bathroom, unplug it after use since the proximity of water presents a hazard even when the unit is switched off.

WARNING: Do not use this appliance in or near bathtubs, showers, basins or other vessels containing water.

- Do not immerse in water or other liquids.
- **Do not reach for an appliance that has fallen into water.**



Unplug immediately.

- Take care to avoid contact between the hot surfaces of the unit and the skin, paying particular attention to the face, neck and hands.
- This appliance is not intended for use by persons (including children) with reduced physical, sensory or mental capabilities, or lack of experience or instruction concerning use of the appliance by a person responsible for their safety.
- Children should be supervised to ensure they do not play with the appliance.

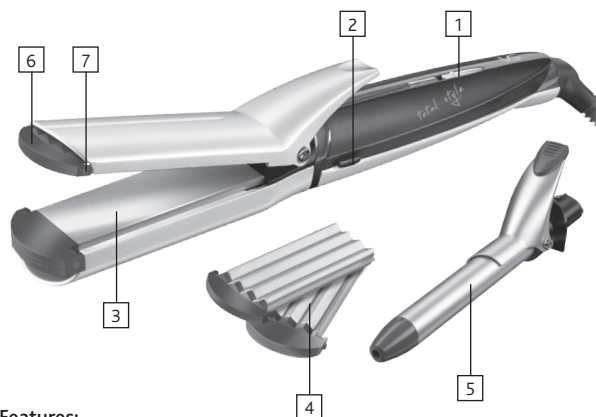
IMPORTANT: Always unplug the appliance when not in use or before cleaning. Do not leave unattended when plugged in or switched on.

Do not place on any heat sensitive surface and always allow to cool before storing away.

- Do not use any attachments other than those supplied by Conair Australia Pty Ltd.
- Use this appliance only for its intended use and as described in this instruction booklet.
- This appliance is not intended for commercial use.
- Do not place appliance on any surface while it is operating.
- Do not use outdoors or operate where aerosol (spray) products are being used or where oxygen is being administered.
- Keep the cord away from heated surfaces.
- Do not use an extension cord with this appliance.
- Do not use this appliance if the supply cord is damaged. In the event of damage, discontinue use immediately and contact your dealer for instruction on returning it for examination or exchange.
- After use do not wrap the cord around the appliance as in time this may cause the cord to fracture. Coil cord loosely by the side of the appliance in storage.
- Always ensure that the voltage to be used corresponds to the voltage marked on the unit.
- For additional protection, the installation of a residual current device (RCD) with a rated operating current not exceeding 30mA is advisable in the electrical current circuit supplying the bathroom. Ask your installer for advice.

Total Style

Straighten, add volume & curl or create a dynamic crimped look with VS Sassoon's Total Style. Total style is a versatile multi-styler with interchangeable attachments that will allow you to create 3 completely unique looks.



Features:

1. On / off switch
2. Release button
- 3 & 4 Reversible straightening / crimping plates
5. 19mm curling tong
6. Cool touch tips
7. Straightening / crimping plate release buttons

How to use your Total Style

For use on dry hair only.

- Remove all packaging and sale labels before use.
- Wash and condition your hair as usual. Ensure that hair is dry, combed through and tangle-free.
- A plastic cover has been placed over the plug to protect it from damage. Remove the plastic cover before inserting into power outlet.
- Plug the appliance into a suitable power outlet and push the switch to "I". The power indicator light will light up. Allow the appliance to heat up for a few minutes before use. Do not touch the heating barrel.

How to Add / Remove Attachments

To add an attachment to the barrel, slide the attachment over the barrel until it clicks into place.

To release an attachment, press the release button and slide the attachment off. Always use the cool touch tips when handling attachments, or allow the unit to cool down prior to use of a new attachment.

The straightening / crimping plates are reversible. To change the plates, press the 2 small round black buttons located at the side of the cool tips and pull the plates forward to slide out.

How to Crimp Your Hair

To crimp your hair, you will need to attach the crimping plates.

- Separate your hair into 5cm sections
- Place the section of hair between the crimping plates

- Hold the hair firmly between the plates for approx. 10-15 seconds.
- Release that section of hair and re-position the crimper so that the next crimp falls in line with the first.
- Always work from the root to the tip of your hair
- Repeat as necessary

How to Curl your Hair

To curl your hair you will need to attach the 19mm curling tong to the barrel of the unit. (See How to Add / Remove Attachments)

Separate your hair into 5cm sections. Press the clamp lever and place the tip of the section between the clamp and the barrel.

Roll the hair around the tong from the tips to the point where you want the curl to begin. Don't let the tong touch your scalp. Hold the tong in place for 10-15 seconds.

To remove the curling tong, press the clamp lever to open. To set the curl wait until your hair has cooled before handling.

How to Straighten your Hair

To straighten your hair you will need to attach the straightening plates. (See How to Add / Remove Attachments)

Separate your hair into 5cm sections. Holding the hair and beginning at the roots, slide the straightener down the length of your hair. Work smoothly to avoid creating a ridge in the middle of the section.

Note: When using this appliance you may see some steam. Do not be concerned, this could be because of evaporation of the sebum, some residual hair products, or excess water that is evaporating from your hair.

Worldwide Voltage

NOTE: This Styler has an internal automatic converter which will automatically convert the voltage without the need of a switch.

A suitable plug adaptor will be required, please refer to the chart below.

Plug adaptor required	Voltage and plug adaptors	Country
	British plug: 230V	Ireland, Great Britain, Singapore, South America, Hong Kong (parts only), Africa (parts only)
	European plug: 230V	Asia, Europe, Middle East, Noumea, Scandinavia, South America, Hong Kong (parts only)
	Australian and New Zealand plug: 240V	Australia, New Zealand
	American plugs: 100-120V	North America, Japan, Canada (parts of)

User Maintenance

Your styler is designed for household use and is virtually maintenance-free. No lubrication is needed. If cleaning becomes necessary, disconnect the appliance from the power outlet.

Allow the styler to cool and wipe exterior with a cloth.

If any abnormal conditions occur, unplug the appliance, allow to cool and return it to your place of purchase.

Two-Year Warranty

This product is subject to the express warranty given on the warranty card included with the product, as may be amended by reference to and in accordance with the terms of the warranty cards displayed on VS Sassoon website www.vssassoon.com.au

To make a warranty claim you must retain your proof of purchase.

Further details can be found at www.vssassoon.com.au and click on 'customer service'.



Get more from your styling tools, visit
www.vssassoon.com.au
for news, styling tips and much more.

Vidal Sassoon and related logos are trademarks of
The Procter & Gamble Company used under license by Conair
©2014
Conair Australia Pty Ltd
Suite 101, 18 Rodborough Rd
Frenchs Forest NSW, 2086
Australia
Customer Service Hotline (Australia): 1800 650 263
Customer Service e-mail: aus_info@conair.com
Conair New Zealand Ltd.,
PO Box 251159, Pakuranga, Auckland, 1706, New Zealand
Customer Service Hotline (New Zealand): 0800 266 247

VSU21A

instruction booklet
Total Style

VSU21A