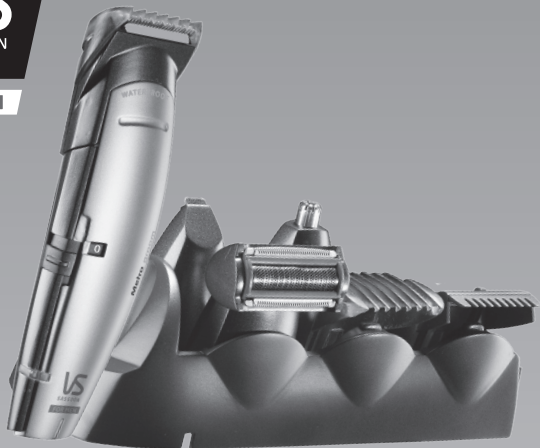


VS
SASSOON

FOR MEN



THE ALL-ROUNDER

TOOL TIPS

for the waterproof multi-purpose
face, body & head trimmer

VSM837A

HEY YOU!
TAKE A BOW FINE SIR.

THINGS ARE LOOKING UP
& **YOU'VE JUST MADE A
QUALITY PURCHASE**
WITH THIS NEW GROOMING TOOL.

WE KNOW YOU'VE GOT THIS, BUT BEFORE YOU JUMP INTO
USING YOUR NEW SIDE KICK, HERE'S A FEW TIPS & TRICKS
TO KNOW BEFORE LETTING YOUR CREATIVITY RUN LOOSE.

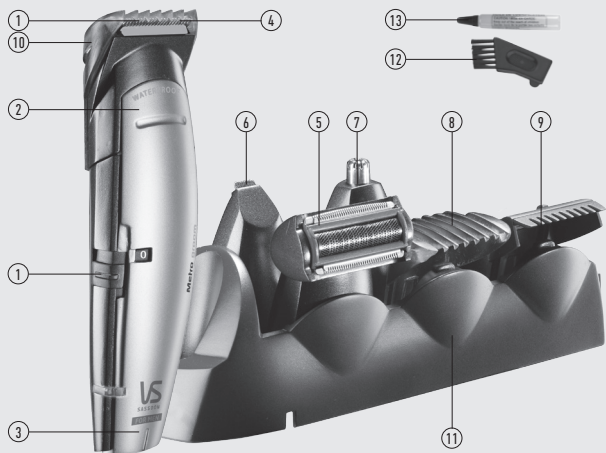
HIT UP **VIFORMEN.COM.AU** FOR MORE GROOMING & INSPIRATION.



THE ALL-ROUNDER

BRAVO. YOU'VE MADE A QUALITY PURCHASE.

The All-Rounder is the waterproof multi-purpose face, body & head trimmer.



1. Precision W-Tech blades
2. 100% waterproof
3. Cordless use
4. 32mm trimming blade
5. Foil shaver
6. 7mm precision blade

7. Rotary blade
8. 6 position comb guide (0.5mm to 3mm) for short or shadow stubble
9. 7 position comb guide (2mm to 14mm) for keeping your beard in top shape

10. 7 position comb guide (3mm to 15mm) for trimming head & body hair
11. Charging and storage stand
12. Cleaning brush
13. Oil

PREPPING YOUR NEW TOOL

CHARGING

The All-Rounder is so easy to use. But before you start using your new tool, you must take the time to charge it overnight for **16 hours** before its first use. Your new tool comes with a small amount of charge, but the initial charge will ensure your new tool will have optimum power performance to give you smooth fast cutting, every time.

- Before using for the first time, fully charge your new tool continuously for 16 hours.
- Maximum battery capacity will only be reached after 3 charging & discharging cycles.

The All-Rounder can be charged whilst standing in the charging/storage stand or without the stand.

To charge the trimmer whilst in the stand, remove the trimmer, attachments and accessories from the stand. Hold the recharging/storage stand upside down and insert the small plug on the charging adaptor into the hole on the base of the stand and push firmly into position. Then, route the cord through the channel on the base of the stand. Place your thumb on the hinged back cover and push the cover over the charging adaptor plug (to the right) to secure the cord and plug in place (Fig.1).

To charge the trimmer without the stand, simply insert the small plug on the charging adaptor into the hole on the base of the trimmer.

Fig.1



- The red charging LED indicator light on your new tool will illuminate when correctly connected to the mains power.
- A full charge will supply 40 minutes cordless runtime.
- To maintain optimum capacity of the rechargeable battery, it is highly recommended to fully discharge & then recharge your tool for 16 hours every 3 months.
- Subsequent recharges will only require 8 hours charging time.

HOW TO USE THE ALL-ROUNDER

BEFORE USING

- Always inspect the trimmer blades for noticeable signs of damage.
- Always inspect the trimmer blades before use to ensure they are free from hair, debris etc.
- Ensure the trimmer is sufficiently charged before use.
- If the foil is cracked, broken or loose, do not use it again and replace with a new foil. Using a foil in a faulty condition can cause injury.
- Do not shave on open wounds, cuts, burns, warts, moles or on sunburned skin.
- Do not use the foil shaver if you suffer from skin irritations or infections, such as psoriasis or eczema. If at all unsure always consult your doctor before use.

CHANGING THE ATTACHMENT HEADS

1. Before changing the attachment heads, make sure your trimmer is switched off.
2. Remove any comb guides attached to your trimmer.
3. To remove an attachment head, hold the handle of the trimmer with one hand, while holding the attachment head with the other hand. Push up on the attachment head with your free hand to remove it (Fig.2)
4. To attach an attachment head, fit the base of the attachment had onto the trimmer pressing it until you hear a click.

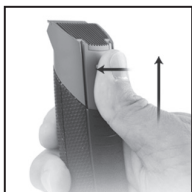


Fig.2

TRIMMING TIPS

Hit up www.vsformen.com.au for more grooming tips & inspiration.

USING THE 32MM TRIMMING BLADE

The 32mm trimming blade has been designed for body, face & hair trimming. It's also ideal for stubble & beard shaping.

The following comb guides are for use with the 32mm trimming blade:

- 6 position comb guide (0.5mm to 3mm) for short or shadow stubble;
- 7 position comb guide (2mm to 14mm) for keeping your beard in top shape; and the
- 7 position comb guide (3mm to 15mm) for trimming head & body hair.

The 32mm trimming blade can also be used without any comb guide attached to outline, and for an even closer finish.

Using the 32mm trimming blade to outline

The 32mm trimming blade without a comb guide attached will cut roughly to a length of 0.5 mm.

1. Do not attach a comb guide.
2. Hold the trimmer upside down with the blade facing downwards, yet flat against the skin.
3. Move the trimmer gently downwards in small strokes around the edge of the area you wish to outline.
4. Having defined the outline, hold the trimmer with the blades pointing upwards, yet flat against the skin and move the trimmer upwards against the direction of hair growth. This will trim the unwanted hair adjacent to the outline.

BE CAREFUL NOT TO APPLY EXCESS PRESSURE TO THE BLADE, AS THIS MAY DAMAGE THE BLADE AND CAN RESULT IN INJURY TO THE SKIN DURING TRIMMING.

Using the 32mm trimming blade with the 6 position comb guide (0.5mm to 3mm) for short or shadow stubble

1. To attach the 6 position comb guide, place the comb guide onto the back of the trimmer, ensuring that the two plastic lugs are aligned correctly over the top of the trimmer. Push the comb guide down until it clicks into place. The comb guide is now secured onto the trimmer and the longest cutting length should be shown – 3mm.
2. The comb guide has 6 length settings, 0.5mm, 1mm, 1.5mm, 2mm, 2.5mm and 3mm. The trimming length is manually adjustable. The selected length in mm is displayed in white at the back of the trimmer. To change the trimming length, push in the middle section of the comb guide and adjust the comb guide up or down. Stop at the required cutting length when it is displayed at the back of the trimmer. The comb guide should then be secured at the selected cutting length.
3. Select the required cutting length setting (0.5mm to 3mm). If you require more than one cutting length, start with the longest length first.
4. Switch the trimmer on.
5. Hold the trimmer with the teeth of the trimmer pointing upwards, yet flat against the skin.
6. Move the trimmer upwards and outward through the hair, against the direction of hair growth.
7. The trimmer will work most efficiently when cutting through hair at its own speed.
8. Never switch the appliance off whilst in the hair.
9. To remove the comb guide, simply press in the middle section of the comb guide and push all the way to the top until you can remove it from the trimmer.

Using the 32mm trimming blade with the 7 position comb guide (2mm to 14mm) for keeping your beard in top shape

1. To attach the 7 position comb guide, place the comb guide onto the back of the trimmer, ensuring that the two plastic lugs are aligned correctly over the top of the trimmer. Push the comb guide down until it clicks into place. The comb guide is now secured onto the trimmer and the longest cutting length should be shown – 14mm.
2. The comb guide has 7 length settings, 2mm, 4mm, 6mm, 8mm, 10mm, 12mm and 14mm. The trimming length is manually adjustable. The selected length in mm is displayed in white at the back of the trimmer. To change the trimming length, push in the middle section of the comb guide and adjust the comb guide up or down. Stop at the required cutting length when it is displayed at the back of the trimmer. The comb guide should then be secured at the selected cutting length.
3. Select the required cutting length setting (2mm to 14mm). If you require more than one cutting length, start with the longest length first.
4. Switch the trimmer on.
5. Hold the trimmer with the teeth of the trimmer pointing upwards, yet flat against the skin.
6. Move the trimmer upwards and outward through the hair, against the direction of hair growth.
7. The trimmer will work most efficiently when cutting through hair at its own speed.
8. Never switch the appliance off whilst in the hair.
9. To remove the comb guide, simply press in the middle section of the comb guide and push all the way to the top until you can remove it from the trimmer.

Using the 32mm trimming blade with the 7 position comb guide (3mm to 15mm) for trimming head & body hair.

1. To attach the 7 position comb guide, place the comb guide onto the back of the trimmer, ensuring that the two plastic lugs are aligned correctly over the top of the trimmer. Push the comb guide down until it clicks into place. The comb guide is now secured onto the trimmer and the longest cutting length should be shown – 15mm.
2. The comb guide has 7 length settings, 3mm, 5mm, 7mm, 9mm, 11mm, 13mm and 15mm. The trimming length is manually adjustable. The selected length in mm is displayed in white at the back of the trimmer. To change the trimming length, push in the middle section of the comb guide and adjust the comb guide up or down. Stop at the required cutting length when it is displayed at the back of the trimmer. The comb guide should then be secured at the selected cutting length.

CREATING AN ALL-OVER EVEN CUT ON YOUR HEAD

1. Ensure the trimmer is switched off.
2. Select the desired trimming length setting as required.
3. Switch the trimmer on – the blades will start to move.
4. Start cutting at the nape of the neck, holding the trimmer with the teeth of the trimmer pointing upwards, ensuring that the comb guide is resting flat against the head.
5. Slowly move the trimmer upwards and outwards through the hair towards your crown, against the direction of the hair growth. The comb guide will help to lift the hair and the blades will cut the hair to the length as shown on the comb guide.
6. Once the desired length is achieved at the back of the hair, start trimmer the top and sides.
7. Hold the trimmer to the front of your hair with the teeth pointing towards the back of your head, and move the trimmer towards your crown. Repeat as necessary, moving in rows from the front and the sides of your head to the back.
8. The trimmer will work most efficiently when cutting through hair at its own speed.
9. Never switch the appliance off whilst in the hair.
10. To remove the comb guide, simply press in the middle section of the comb guide and push all the way to the top until you can remove it from the trimmer.

USING THE FOIL SHAVER

The foil shaver has been specially designed for shaving all bodyzones - chest and stomach area, back and shoulders, underarms, legs and the groin area. It will leave the skin feeling clean, smooth and refreshed. The dual independent trimmers on either side of the foil shaver are designed to shorten long hair and allow you to easily achieve precise shaving.

The 100% waterproof design makes it ideal for shaving body hair in the shower, for no mess grooming or as a dry shave. You can use shaving aids such as foam or gel with this product to achieve a cleaner, more refreshing shave.

PREPARING THE SKIN

Before using the foil shaver, make sure that the skin is perfectly clean and free from grease or cream. Exfoliating the skin once or twice a week before shaving helps to maintain healthy and fresh skin, but it also helps to:

- Prevent hairs from growing under the skin, resulting in in-grown hairs
- Remove dead skin cells and refine the texture of your skin, resulting in a closer shave
- repair your skin to help it absorb skin care products.

We recommend exfoliating ideally the day before, as well as just before shaving. This will help straighten the hair and make it easier to shave. Avoid exfoliating just after shaving.

Having a warm shower before use will also help to soften the hair.

For optimum results, it is recommended to trim the hair first if it is quite long using the 32mm trimming blade.

1. Attach the foil shaving head.
2. Switch the trimmer on by sliding the On/Off switch upwards so that the "I" marking is visible.
3. Always keep the shaver perpendicular to the surface to be shaved.
4. Always work with both hands: stretch the skin with one hand and move the trimmer with the other hand.
5. Slowly move the shaver, exerting light pressure. As a precaution, the operation of the trimmer may slow down substantially if the foil shaving head is pressed too hard against the skin.

WET SHAVING

1. Thoroughly wet the body with warm water and apply foam or gel. This will help to lubricate the body and enable the shaver to glide across then skin for increased closeness and reduced irritation.
2. Move the shaver over the skin, applying minimal pressure only as this allows the hairs to be shaved much more quickly and cleanly. Do not press.
3. For the closest shave, shave against the direction of hair growth, or with the hair growth, whichever is preferred, but remember that hair grows in different directions.
4. Tilt the shaver up and down whilst shaving for best results.
5. Rinse the shaver regularly whilst shaving, keeping the TRIMMER running whilst rinsing the head for faster cleaning.

USING THE 7MM PRECISION BLADE

The 7mm precision blade is for the finishing touches on your stubble, beard, sideburns & eyebrows.

1. Switch the trimmer on.
2. Gently move the blade through the area of hair you wish to trim.
3. To make it easier to define those finishing touches, flip the trimmer over so that you can make it even easier working with the blade close to the skin.
4. The trimmer will work most efficiently when cutting through hair at its own speed.
5. For increased trimming performance, press and hold the turbo button, this is often necessary for thicker areas of hair.
6. Never switch the appliance off whilst in the hair.

USING THE ROTARY BLADE

The rotary blade has been designed for trimming those hard to reach places like nose & ear hair. No nicks, cuts or pulling.

1. Attach the rotary trimming blade.
2. Switch the trimmer on.
3. Insert the trimmer into the nose or ear and gently move the trimmer in a circular motion.
4. Always turn the trimmer on **BEFORE** you insert into your nostril or ear canal to avoid painfully snagging hairs.
5. Never insert the trimmer more than 5-6mm into your nose or ears.
6. Never turn the trimmer off whilst in the nose and ears.

TRIMMER CLEANING & MAINTENANCE

Because the trimmer blades are precision made for a very special use, they should always be handled with care. To ensure long-lasting performance of your trimmer, it is important to clean the blades + the comb guides after every use.

To remove the trimming blade, follow the instructions at **CHANGING THE ATTACHMENT HEADS**.

1. First, take the cleaning brush and brush away any loose hairs that have collected in the blades.
 2. Rinse the trimming blades under running water. The comb guides can also be rinsed separately.
 3. After cleaning, make sure to shake off excess water and dry the head of the trimming blades + comb guide before replacing onto the handle.
 4. Do not disassemble the blades.
- Do not use hot water to clean the attachments.
 - Dry immediately and shake off excess water, then dry with a cloth.
 - Whilst the power handle is waterproof, it is recommended not to immerse unduly in hot soapy water.

OIL FREE TRIMMING BLADES, THE WAY IT SHOULD BE

The blades of your trimmer have a reservoir pad for releasing the necessary amount of oil for proper operation, time after time. Nevertheless, it is recommended that the reservoir pad be refilled occasionally when you notice cutting performance is not as high. To remove the trimming blade, follow the instructions at **CHANGING BETWEEN THE TRIMMING BLADE**. Squeeze a few drops of oil onto the reservoir pad (Fig. 3). Then replace the blades on the trimmer.

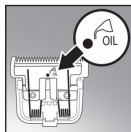


Fig. 3

KEEPING YOUR FOIL SHAVER IN TIP TOP SHAPE

To remove the foil shaver head, follow the instructions at CHANGING THE ATTACHMENT HEADS.

1. To make cleaning easier, the foil of the shaving head is removable.
2. To remove it, press the fasteners on its sides using your thumb and your index finger and lift it up.

BE CAREFUL NOT TO PUSH ON THE FOILS, THEY ARE DELICATE AND CAN EASILY BE DAMAGED.





3. Rinse the shaver cutter and foil frame under running water or in a sink. Do not use hot water. Use only warm or cold water.
4. After wet cleaning, allow the foil frame and cutters to air-dry before closing the foil frame and shaver head. The cutter can also be cleaned with a cleaning brush.
5. Replace shaver head back onto the handle until it clicks into place. Wipe the surface of the main unit with a dry towel. Do not dry the foil area. Let the shaving head air-dry.

NEVER use thinners, other solvents or any harsh cleaners.

6. Once the foil shaver is dried, carefully place the protective cap on.

WORLDWIDE VOLTAGE

This appliance has a multi voltage feature for worldwide use. The voltage automatically converts for ease of use from 100v - 240v. This appliance has an automatic internal converter which will automatically convert the voltage without the need of a switch. A suitable plug adaptor will be required, please refer to the chart below.

Plug adaptor required	Voltage and plug adaptors	Country	Voltage setting
	British plug: 240V	Ireland, Great Britain, Singapore, South America, Hong Kong (parts only), Africa (parts only)	240V
	European plug: 240V	Asia, Europe, Middle East Noumea, Scandinavia, South America, Hong Kong (parts only)	240V
	Australian and New Zealand plug: 240V	Australia, New Zealand	240V
	American plugs: 120V	North America, Japan, Canada (parts of)	120V

BATTERY DISPOSAL

The All-Rounder contains a Nickel Metal-Hydride battery. To protect the environment, the appliance must be disposed of safely at the end of its useful life.



NI-MH

Please take the appliance to a recycling centre, where the internal rechargeable battery should be removed by a professional and recycled separately.

For more information about the recycling of electrical and battery operated appliances, please contact your local council office or your household waste disposal service.

LIMITED TWO YEAR WARRANTY

Our goods come with guarantees that cannot be excluded under the Australian Consumer Law. You are entitled to a replacement or refund for a major failure and for compensation for any other reasonably foreseeable loss or damage. You are also entitled to have the goods repaired or replaced if the goods fail to be of acceptable quality and the failure does not amount to a major failure. In New Zealand our goods come with a guarantee that cannot be excluded under the Consumer Guarantee Act 1993.

Conair Australia Pty Ltd. will repair or replace (at our option) your appliance free of charge for twenty-four months from the date of purchase if the appliance is defective in workmanship or materials.

This warranty is an additional benefit and does not affect your legal rights. To obtain service under this warranty, please read the Warranty Leaflet included or contact Conair Customer Service at aus_info@conair.com.

**TO MAKE A WARRANTY CLAIM YOU MUST
RETAIN YOUR PROOF OF PURCHASE.**

IMPORTANT SAFETY INSTRUCTIONS

When using electrical appliances, especially when children are present, basic safety instructions should always be followed, including the following:

Polythene bags over product or package may be dangerous. To avoid danger of suffocation, keep this wrapper away from babies and children. This bag is not a toy.

DANGER: When the unit is used in a bathroom, unplug it after use since the proximity of water presents a hazard even when the appliance is switched off



WARNING: Do not use or leave the AC power adaptor in a position where it can become wet or there is a danger of it falling into a basin or other vessels containing water. Keep the appliance dry, unless it otherwise specified. Do not use this appliance in or near bathtubs, showers, basins or other vessels containing water.

- Do not immerse appliance in water or other liquids.
- Do not reach for an appliance that has fallen into water. Unplug immediately.
- Take care to avoid contact between the moving blades of the unit and the skin, paying particular attention to the face, neck and hands.
- This appliance is not intended for use by persons (including children) with reduced physical, sensory or mental capabilities, or lack of experience and knowledge, unless they have been given supervision or instruction concerning use of the appliance by a person responsible for their safety.
- Children should be supervised to ensure that they do not play with the appliance.

IMPORTANT: Always unplug the appliance when not in use or before cleaning. Do not leave unattended when plugged in or switched on. Do not place on any heat sensitive surface.

- Do not use any attachments other than those supplied by Conair Australia Pty Ltd.
- Use this appliance only for its intended use as described within this instruction booklet.
- Always unplug the appliance when fully charged.
- This appliance is not intended for commercial use.
- Never drop or insert any object into an opening.
- Do not use the appliance with damaged or broken attachment combs or with any teeth missing from the blades, as injury may occur.
- Do not place on any surface while it is operating.
- Keep the cord away from heated surfaces
- Never twist or pull on the power cord.
- Do not use an extension cord with this appliance.
- After use do not wrap the cord around the appliance as in time this may cause the cord to fracture. Coil cord loosely by the side of the appliance in storage.
- Do not use outdoors or operate where aerosol (spray) products are being used or where oxygen is being administered.
- Do not use the appliance if it is damaged. In the event of damage, discontinue use immediately and contact your dealer for instructions on returning it for examination or exchange. If the supply cord is damaged, it must be replaced by the manufacturer, its service agent or similarly qualified person in order to avoid a hazard.
- Always ensure that the voltage to be used corresponds to the voltage marked on the unit.
- For additional protection, the installation of a residual current device (RCD) with a rated operating current not exceeding 30mA is advisable in the electrical current circuit supplying the bathroom. Ask your installer for advice.



Vidal Sassoon and related logos are trademarks of
The Procter & Gamble Company used under license by Conair.

©2016 Conair Australia Pty. Ltd.
Suite 101, 18 Rodborough Rd
Frenchs Forest NSW 2086
Australia

Conair New Zealand Limited
PO BOX 251159
Pakuranga, Auckland 1706
New Zealand

CONTACT US

For advice & tips on your new VS product email us on:
aus_info@conair.com

CUSTOMER SERVICE

Australia: 1800 650 263
New Zealand: 0800 266 247

Visit VSFORMEN.COM.AU for grooming tips & inspiration.

VS
SASSOON

FOR MEN

**YOU WERE
BORN TO
BE REAL,
NOT TO BE
PERFECT**

IB-13/043B