

VS
SASSOON

FOR MEN



THE LITHIUM-POWERED ROOM BUDDY

TOOL TIPS

for the lithium powered professional
multi-purpose face & body trimmer

VSM7420A

HEY YOU!
TAKE A BOW FINE SIR.

THINGS ARE LOOKING UP
& **YOU'VE JUST MADE A
QUALITY PURCHASE**
WITH THIS NEW GROOMING TOOL.

WE KNOW YOU'VE GOT THIS, BUT BEFORE YOU JUMP INTO
USING YOUR NEW SIDE KICK, HERE'S A FEW TIPS & TRICKS
TO KNOW BEFORE LETTING YOUR CREATIVITY RUN LOOSE.

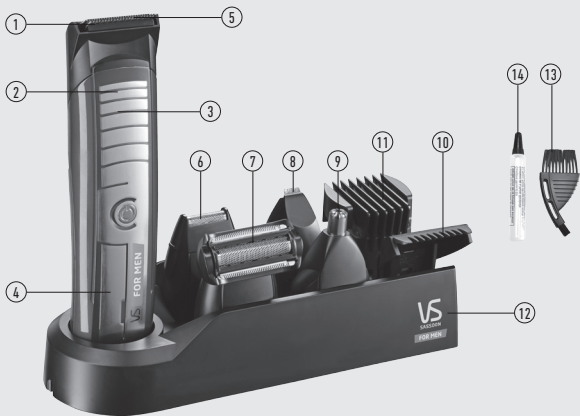
HIT UP VSFORMEN.COM.AU FOR MORE GROOMING & INSPIRATION.



THE LITHIUM-PRO GROOM BUDDY

BRAVO. YOU'VE MADE A QUALITY PURCHASE.

The Lithium-Pro Groom Buddy is the lithium powered professional multi-purpose face & body trimmer.



1. Precision W-Tech blades
2. Lithium-ion power
3. DC drive motor
4. Cord/Cordless use
5. 32mm trimming blade
6. Facial foil shaver
7. Foil shaver

8. 7mm precision blade
9. Rotary blade
10. 6 position comb guide (0.5mm to 3mm) for short or shadow stubble
11. 7 position comb guide (2mm to 14mm) for keeping your beard in top shape

12. Charging and storage stand
13. Cleaning brush
14. Oil

PREPPING YOUR NEW TOOL

CHARGING

The The Lithium-Pro Groom Buddy is so easy to use. But before you start using your new tool, you must take the time to charge it for **2 hours** before its first use. Your new tool comes with a small amount of charge, but the initial charge will ensure your new tool will have optimum power performance to give you smooth fast cutting, every time.

- Before using for the first time, fully charge your new tool continuously for 2 hours.
- Maximum battery capacity will only be reached after 3 charging & discharging cycles.
- To charge the trimmer whilst in the stand, remove the trimmer and accessories from the stand. Insert the adaptor plug into the hole on the base of the stand and push firmly into position. Route the cord through the channel on the base of the stand and secure in place. Plug the charging adaptor into a suitable mains power socket and switch on. Ensuring your new tool is switched off, assemble the trimmer into the stand and push the trimmer down onto the small plug to commence charging.
- To charge the trimmer without the stand, simply insert the small plug on the charging adaptor into the hole on the base of the trimmer.
- When charging the trimmer, the blue LED charging light will flash slowly and continuously until the battery has fully charged, then the blue LED charging light will stop flashing but remain on.
- 2 hours full charge will supply 80 minutes cordless runtime.
- A quick charge of 30 minutes provides 20 minutes cordless runtime.
- To maintain optimum capacity of the rechargeable battery, it is highly recommended to fully discharge & then recharge your tool for 2 hours every 3 months.

HOW TO USE THE LITHIUM-PRO GROOM BUDDY

BEFORE USING

- Always inspect the trimmer blades for noticeable signs of damage.
- Always inspect the trimmer blades before use to ensure they are free from hair, debris etc.
- Ensure the trimmer is sufficiently charged before use.
- If the foil is cracked, broken or loose, do not use it again and replace with a new foil. Using a foil in a faulty condition can cause injury.
- Do not shave on open wounds, cuts, burns, warts, moles or on sunburned skin.
- Do not use the foil shaver if you suffer from skin irritations or infections, such as psoriasis or eczema. If at all unsure always consult your doctor before use.

CHANGING THE ATTACHMENT HEADS

1. Before changing the attachment heads, make sure your trimmer is switched off.
2. Remove any comb guides attached to your trimmer.
3. To remove an attachment head, hold the handle of the trimmer with one hand, while holding the attachment head with the other hand. Push up on the attachment head with your free hand to remove it (Fig.1).
4. To attach a head, the driving pin needs to be in a central position. If it is not in the centre, manually move the pin into position. Then making sure that the base of head is seated in the handle, click the head into position.

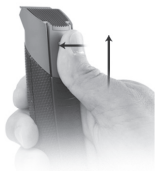


fig.1

TRIMMING TIPS

Hit up www.vsformen.com.au for more grooming tips & inspiration.

USING THE 32MM TRIMMING BLADE

The 32mm trimming blade has been designed for body, & facial hair trimming. It's ideal for stubble & beard shaping.

The following comb guides are for use with the 32mm trimming blade:

- 6 position comb guide (0.5mm to 3mm) for short or shadow stubble, and the;
- 7 position comb guide (2mm to 14mm) for keeping your beard in top shape.

The 32mm trimming blade can also be used without any comb guide attached to outline, and for an even closer finish.

Using the 32mm trimming blade to outline

The 32mm trimming blade without a comb guide attached will cut roughly to a length of 0.5 mm.

1. Do not attach a comb guide.
2. Hold the trimmer upside down with the blade facing downwards, yet flat against the skin.
3. Move the trimmer gently downwards in small strokes around the edge of the area you wish to outline.
4. Having defined the outline, hold the trimmer with the blades pointing upwards, yet flat against the skin and move the trimmer upwards against the direction of hair growth. This will trim the unwanted hair adjacent to the outline.

BE CAREFUL NOT TO APPLY EXCESS PRESSURE TO THE BLADE, AS THIS MAY DAMAGE THE BLADE AND CAN RESULT IN INJURY TO THE SKIN DURING TRIMMING.

Using the 32mm trimming blade with the 6 position comb guide

1. To attach the 6 position comb guide, place the comb guide onto the back of the trimmer, ensuring that the two plastic lugs are aligned correctly over the top of the trimmer. Push the comb guide down until it clicks into place. The comb guide is now secured onto the trimmer and the longest cutting length should be shown – 3mm.
2. The comb guide has 6 length settings, 0.5mm, 1mm, 1.5mm, 2mm, 2.5mm and 3mm. The trimming length is manually adjustable. The selected length in mm is displayed in white at the back of the trimmer. To change the trimming length, push in the middle section of the comb guide and adjust the comb guide up or down. Stop at the required cutting length when it is displayed at the back of the trimmer. The comb guide should then be secured at the selected cutting length.
3. Select the required cutting length setting (0.5mm to 3mm). If you require more than one cutting length, start with the longest length first.
4. Switch the trimmer on.
5. Hold the trimmer with the teeth of the trimmer pointing upwards, yet flat against the skin.
6. Move the trimmer upwards and outward through the hair, against the direction of hair growth.
7. The trimmer will work most efficiently when cutting through hair at its own speed.
8. Never switch the appliance off whilst in the hair.
9. To remove the comb guide, simply press in the middle section of the comb guide and push all the way to the top until you can remove it from the trimmer.

Using the 32mm trimming blade with the 7 position comb guide

1. To attach the 7 position comb guide, place the comb guide onto the back of the trimmer, ensuring that the two plastic lugs are aligned correctly over the top of the trimmer. Push the comb guide down until it clicks into place. The comb guide is now secured onto the trimmer and the longest cutting length should be shown – 14mm.
2. The comb guide has 7 length settings, 2mm, 4mm, 6mm, 8mm, 10mm, 12mm and 14mm. The trimming length is manually adjustable. The selected length in mm is displayed in white at the back of the trimmer. To change the trimming length, push in the middle section of the comb guide and adjust the comb guide up or down. Stop at the required cutting length when it is displayed at the back of the trimmer. The comb guide should then be secured at the selected cutting length.
3. Select the required cutting length setting (2mm to 14mm). If you require more than one cutting length, start with the longest length first.
4. Switch the trimmer on.
5. Hold the trimmer with the teeth of the trimmer pointing upwards, yet flat against the skin.
6. Move the trimmer upwards and outward through the hair, against the direction of hair growth.
7. The trimmer will work most efficiently when cutting through hair at its own speed.
8. Never switch the appliance off whilst in the hair.
9. To remove the comb guide, simply press in the middle section of the comb guide and push all the way to the top until you can remove it from the trimmer.

USING THE FOIL SHAVER

The foil shaver has been specially designed for shaving all bodyzones - chest and stomach area, back and shoulders, underarms, legs and the groin area. It will leave the skin feeling clean, smooth and refreshed. The dual independent trimmers on either side of the foil shaver are designed to shorten long hair and allow you to easily achieve precise shaving.

PREPARING THE SKIN

Before using the foil shaver, make sure that the skin is perfectly clean and free from grease or cream. Exfoliating the skin once or twice a week before shaving helps to maintain healthy and fresh skin, but it also helps to:

- Prevent hairs from growing under the skin, resulting in in-grown hairs
- Remove dead skin cells and refine the texture of your skin, resulting in a closer shave
- Prepare your skin to help it absorb skin care products.

We recommend exfoliating ideally the day before, as well as just before shaving. This will help straighten the hair and make it easier to shave. Avoid exfoliating just after shaving.

Having a warm shower before use will also help to soften the hair.

1. Attach the foil shaving head.
2. Switch the trimmer on by sliding the On/Off switch upwards so that the "I" marking is visible.
3. Always keep the shaver perpendicular to the surface to be shaved.
4. Always work with both hands: stretch the skin with one hand and move the trimmer with the other hand.
5. Slowly move the shaver, exerting light pressure. As a precaution, the operation of the trimmer may slow down substantially if the foil shaving head is pressed too hard against the skin.

USING THE FACIAL FOIL SHAVER

The facial foil shaver has been designed for sharpening & defining your look with a clean, smooth finish.

You can use the facial foil shaver once you've finished using the 32mm trimming blade. It's ideal for defining around the edges of your beard, stubble, front and back of the neckline.

USING THE 7MM PRECISION BLADE

The 7mm precision blade is for the finishing touches on your stubble, beard, sideburns & eyebrows.

1. Switch the trimmer on.
2. Gently move the blade through the area of hair you wish to trim.
3. To make it easier to define those finishing touches, flip the trimmer over so that you can make it even easier working with the blade close to the skin.
4. The trimmer will work most efficiently when cutting through hair at its own speed.
5. For increased trimming performance, press and hold the turbo button, this is often necessary for thicker areas of hair.
6. Never switch the appliance off whilst in the hair.

USING THE ROTARY BLADE

The rotary blade has been designed for trimming those hard to reach places like nose & ear hair. No nicks, cuts or pulling..

1. Attach the rotary trimming blade.
2. Switch the trimmer on.
3. Insert the trimmer into the nose or ear and gently move the trimmer in a circular motion.
4. Always turn the trimmer on **BEFORE** you insert into your nostril or ear canal to avoid painfully snagging hairs.
5. Never insert the trimmer more than 5-6mm into your nose or ears.
6. Never turn the trimmer off whilst in the nose and ears.

TRIMMER CLEANING & MAINTENANCE

Because the trimmer blades are precision made for a very special use, they should always be handled with care. To ensure long-lasting performance of your trimmer, it is important to clean the blades + the comb guides after every use.

To remove the trimming blade, follow the instructions at **CHANGING THE ATTACHMENT HEADS**.

1. First, take the cleaning brush and brush away any loose hairs that have collected in the blades.
2. Rinse the trimming blades under running water. The comb guides can also be rinsed separately.
3. After cleaning, make sure to shake off excess water and dry the head of the trimming blades + comb guide before replacing onto the handle.
4. Do not disassemble the blades.

OILING THE BLADES

Periodically, it may be necessary to oil the blades. After cleaning, attach a trimmer head, switch on and oil the blades using a few drops of the lubricating oil supplied. Only use the lubricating oil supplied with the appliance as this is specifically formulated for high speed trimmers and does not evaporate or slow the blades.

KEEPING YOUR FOIL SHAVER IN TIP TOP SHAPE

To remove the foil shaver head, follow the instructions at CHANGING THE ATTACHMENT HEADS.

1. To make cleaning easier, the foil of the shaving head is removable.
2. To remove it, press the fasteners on its sides using your thumb and your index finger and lift it up.

BE CAREFUL NOT TO PUSH ON THE FOILS, THEY ARE DELICATE AND CAN EASILY BE DAMAGED.

3. Rinse the shaver cutter and foil frame under running water or in a sink. Do not use hot water. Use only warm or cold water.
4. After wet cleaning, allow the foil frame and cutters to air-dry before closing the foil frame and shaver head. The cutter can also be cleaned with a cleaning brush.
5. Replace shaver head back onto the handle until it clicks into place. Wipe the surface of the main unit with a dry towel. Do not dry the foil area. Let the shaving head air-dry.

NEVER use thinners, other solvents or any harsh cleaners.

6. Once the foil shaver is dried, carefully place the protective cap on.

BATTERY DISPOSAL

The Lithium-Pro Groom Buddy contains a Li-ion battery. To protect the environment, the appliance must be disposed of safely at the end of its useful life.



LI-ION

Please take the appliance to a recycling centre, where the internal rechargeable battery should be removed by a professional and recycled separately.

For more information about the recycling of electrical and battery operated appliances, please contact your local council office or your household waste disposal service.

**FOR MORE INFORMATION ABOUT RECYCLING
OF ELECTRICAL AND BATTERY OPERATED
APPLIANCES, PLEASE CONTACT YOUR LOCAL
COUNCIL OFFICE OR YOUR HOUSEHOLD WASTE
DISPOSAL SERVICE.**

LIMITED THREE YEAR WARRANTY

Our goods come with guarantees that cannot be excluded under the Australian Consumer Law. You are entitled to a replacement or refund for a major failure and for compensation for any other reasonably foreseeable loss or damage. You are also entitled to have the goods repaired or replaced if the goods fail to be of acceptable quality and the failure does not amount to a major failure. In New Zealand our goods come with a guarantee that cannot be excluded under the Consumer Guarantee Act 1993.

Conair Australia Pty Ltd. will repair or replace (at our option) your appliance free of charge for twenty-four months from the date of purchase if the appliance is defective in workmanship or materials.

This warranty is an additional benefit and does not affect your legal rights. To obtain service under this warranty, please read the Warranty Leaflet included or contact Conair Customer Service at aus_info@conair.com.

**TO MAKE A WARRANTY CLAIM YOU MUST
RETAIN YOUR PROOF OF PURCHASE.**

IMPORTANT SAFETY INSTRUCTIONS

When using electrical appliances, especially when children are present, basic safety instructions should always be followed, including the following:

Polythene bags over product or package may be dangerous. To avoid danger of suffocation, keep this wrapper away from babies and children. This bag is not a toy.

DANGER: When the unit is used in a bathroom, unplug it after use since the proximity of water presents a hazard even when the appliance is switched off



WARNING: Do not use or leave the AC power adaptor in a position where it can become wet or there is a danger of it falling into a basin or other vessels containing water. Keep the appliance dry, unless it otherwise specified. Do not use this appliance in or near bathtubs, showers, basins or other vessels containing water.

- Do not immerse appliance in water or other liquids.
- Do not reach for an appliance that has fallen into water. Unplug immediately.
- Take care to avoid contact between the moving blades of the unit and the skin, paying particular attention to the face, neck and hands.
- This appliance is not intended for use by persons (including children) with reduced physical, sensory or mental capabilities, or lack of experience and knowledge, unless they have been given supervision or instruction concerning use of the appliance by a person responsible for their safety.
- Children should be supervised to ensure that they do not play with the appliance.

IMPORTANT: Always unplug the appliance when not in use or before cleaning. Do not leave unattended when plugged in or switched on. Do not place on any heat sensitive surface.

- Do not use any attachments other than those supplied by Conair Australia Pty Ltd.
- Use this appliance only for its intended use as described within this instruction booklet.
- Always unplug the appliance when fully charged.
- This appliance is not intended for commercial use.
- Never drop or insert any object into an opening.
- Do not use the appliance with damaged or broken attachment combs or with any teeth missing from the blades, as injury may occur.
- Do not place on any surface while it is operating.
- Keep the cord away from heated surfaces
- Never twist or pull on the power cord.
- Do not use an extension cord with this appliance.
- After use do not wrap the cord around the appliance as in time this may cause the cord to fracture. Coil cord loosely by the side of the appliance in storage.
- Do not use outdoors or operate where aerosol (spray) products are being used or where oxygen is being administered.
- Do not use the appliance if it is damaged. In the event of damage, discontinue use immediately and contact your dealer for instructions on returning it for examination or exchange. If the supply cord is damaged, it must be replaced by the manufacturer, its service agent or similarly qualified person in order to avoid a hazard.
- Always ensure that the voltage to be used corresponds to the voltage marked on the unit.
- For additional protection, the installation of a residual current device (RCD) with a rated operating current not exceeding 30mA is advisable in the electrical current circuit supplying the bathroom. Ask your installer for advice.



Vidal Sassoon and related logos are trademarks of
The Procter & Gamble Company used under license by Conair.

©2016 Conair Australia Pty. Ltd.
Suite 101, 18 Rodborough Rd
Frenchs Forest NSW 2086
Australia

Conair New Zealand Limited
PO BOX 251159
Pakuranga, Auckland 1706
New Zealand

CONTACT US

For advice & tips on your new VS product email us on:
aus_info@conair.com

CUSTOMER SERVICE

Australia: 1800 650 263
New Zealand: 0800 266 247

Visit VSFORMEN.COM.AU for grooming tips & inspiration.

VS
SASSOON

FOR MEN

**YOU WERE
BORN TO
BE REAL,
NOT TO BE
PERFECT**

IB-13/066B