

## IMPORTANT SAFETY INSTRUCTIONS

When using electrical appliances, especially when children are present, basic safety instructions should always be followed, including the following:

Polythene bags over product or package may be dangerous. To avoid danger of suffocation, keep this wrapper away from babies and children. This bag is not a toy.

### DANGER:

When the unit is used in a bathroom, unplug it after use since the proximity of water presents a hazard even when the unit is switched off.

**WARNING:** Do not use this appliance in or near bathtubs, showers, basins or other vessels containing water.

- Do not immerse in water or other liquids.
- Do not reach for an appliance that has fallen into water. Unplug immediately.
- Take care to avoid contact between the hot surfaces of the unit and the skin, paying particular attention to the face, neck and hands.
- This appliance is not intended for use by infirm persons (including children) with reduced physical, sensory or mental capabilities, or lack of experience and knowledge, unless they have been given supervision or instruction concerning use of the appliance by a person responsible for their safety.
- Children should be supervised to ensure that they do not play with the appliance.

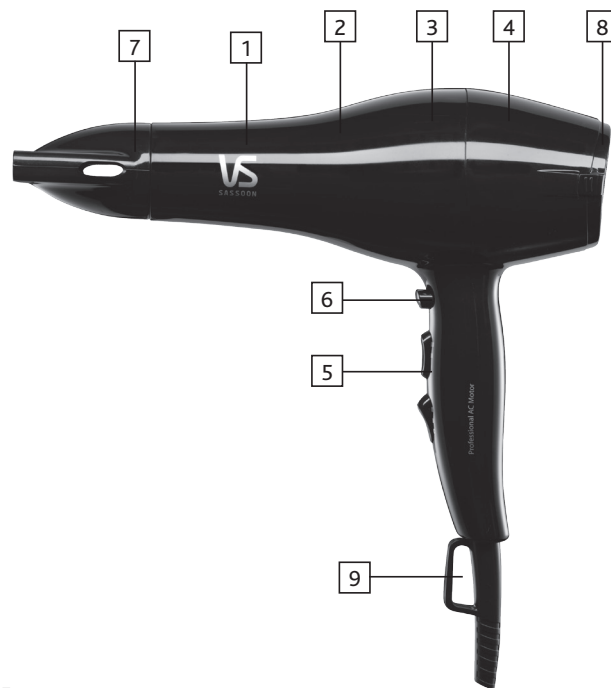


**IMPORTANT:** Always unplug the appliance when not in use or before cleaning. Do not leave unattended when plugged in or switched on. Do not place on any heat-sensitive surface and always allow to cool before storing away.

- Do not use any attachments other than those supplied by Conair Australia Pty Ltd.
- Use this appliance only for its intended use as described within this instruction booklet.
- This appliance is not intended for commercial use.
- Never drop or insert any object into an opening.
- Never block the air openings of the appliance or place on a soft surface such as a bed or couch, where the air openings may be blocked. Keep the air openings free of lint and other debris.
- Attachments may get hot during use. Allow them to cool before handling.
- Do not use outdoors or operate where aerosol (spray) products are being used or where oxygen is being administered.
- Keep the cord away from heated surfaces.
- Do not use an extension cord with this appliance.
- If the supply cord is damaged, it must be replaced by the manufacturer, its service agent or similarly qualified persons in order to avoid a hazard.
- After use do not wrap the cord around the appliance as in time this may cause the cord to fracture. Coil cord loosely by the side of the appliance in storage.
- Always ensure that the voltage to be used corresponds to the voltage marked on the unit.
- For additional protection, the installation of a residual current device (RCD) with a rated operating current not exceeding 30mA is advisable in the electrical current circuit supplying the bathroom. Ask your installer for advice.

## AC Pro Salon Dryer

VS Sassoon's AC Pro Salon Dryer has a salon grade AC motor equipped with extra powerful, concentrated air velocity for faster, salon quality styling and drying. With ceramic tourmaline technology and ionic conditioning technology™ it reduces static, leaving hair silky and shiny.



### Features:

1. 2200 watts
2. Salon grade AC motor
3. Ionic conditioning technology™
4. Ceramic tourmaline technology
5. 3 heat and 2 speed settings
6. Cold shot button
7. Ultra-slim concentrator
8. Removable rear filter
9. Hanging loop

## How to use your AC Pro Salon Dryer

- Always towel-dry your hair before using the dryer.
- Ensure that the switch is set to the '0' (off) setting before plugging into a suitable power outlet.
- There are 3 heat and 2 speed settings, plus the cold shot button. Use the high heat and speed settings for initial drying. Use the low heat and speed settings as the hair begins to dry, and for styling and scrunch drying.
- Use the cold shot button on warm hair to rapidly cool the hair and set the style in place for a longer-lasting effect.

### The Attachments:



#### Ultra-slim Concentrator -

Use the concentrator for directing airflow just where you want it, to ease styling and straightening. For additional control, use one of the lower settings and point the airflow along the surface of the hair to be dried.

**CAUTION:** Take care not to direct the airflow directly onto the skin (e.g. scalp, neck, ears, face, etc.) as hot air from hairdryers can, particularly if held too close, cause discomfort or even burns.

### What is Ceramic tourmaline technology?

Ceramic tourmaline technology delivers even heat without hot spots. Tourmaline is a semiprecious crystal which is a natural source of negative ions and far-infrared (FIR) rays.

The production of negative ions from tourmaline eliminates static in the hair, and far-infrared rays assist in the deep penetration of heat thus preventing hair damage.

When in contact with wet hair, Ceramic tourmaline technology works to ionise and alkalise moisture, and provides antibacterial and deodorant qualities.

### How does the ionic feature work?

Many aspects of modern living, including air conditioning, contact with man-made fibres and air pollution, add to the buildup of static electricity in the hair. Even brushing and towel-drying the hair can increase these levels. This static charge causes the scales, or cuticle, of the hair, to push hair strands apart, resulting in a rough hair surface. Consequently, hair may have a dull appearance. High levels of static charge cause hair to become 'flyaway' and difficult to style. The internal ion generator emits a stream of negative ions that act to neutralize the static charge.

#### Cleaning and Maintenance

To help maintain optimum performance and prevent overheating, the rear filter should be cleaned on a regular basis.

- Ensure that the appliance is switched off, unplugged from the power outlet and has cooled down.
- Holding the handle of the appliance firmly, use your other hand to remove the rear filter.
- Using a soft brush, clean any hair and other debris that may have built up in the filter.
- Replace the rear filter and click into place.

#### Limited Three-Year Warranty

This product is subject to the express warranty given on the warranty card included with the product, as may be amended by reference to and in accordance with the terms of the warranty cards displayed on VS Sassoon website [www.vssassoon.com.au](http://www.vssassoon.com.au)

To make a warranty claim you must retain your proof of purchase. Further details can be found at [www.vssassoon.com.au](http://www.vssassoon.com.au) and click on 'customer service'.

**VS**  
SASSOON

**VS**  
SASSOON



Get more from your styling tools, visit  
**[www.vssassoon.com.au](http://www.vssassoon.com.au)**  
for news, styling tips and much more.

Vidal Sassoon and related logos are trademarks of  
The Procter & Gamble Company used under licence by Conair  
©2013 Conair Australia Pty Ltd  
Suites 20 and 21,  
7 Narabang Way, Belrose NSW 2085  
Customer Service Hotline (Australia): 1800 650 263  
Customer Service e-mail: [aus\\_info@conair.com](mailto:aus_info@conair.com)  
Conair New Zealand Ltd.,  
PO Box 251159, Pakuranga, Auckland, 1706, New Zealand  
Customer Service Hotline (New Zealand): 0800 266 247

**instruction booklet**  
AC Pro Salon Dryer

VS6630PA