

## IMPORTANT SAFETY INSTRUCTIONS

When using electrical appliances, especially when children are present, basic safety instructions should always be followed, including the following: Polythene bags over product or package may be dangerous. To avoid danger of suffocation, keep this wrapper away from babies and children. This bag is not a toy.

**DANGER:** When the unit is used in a bathroom, unplug it after use since the proximity of water presents a hazard even when the unit is switched off.

**WARNING:** Do not use this appliance in or near bathtubs, showers, basins or other vessels containing water.

• Do not immerse in water or other liquids.

• **Do not reach for an appliance that has fallen into water. Unplug immediately.**



- Unit is hot when in use. Take care to avoid contact between the hot surfaces of the unit and the skin, paying particular attention to the face, neck and hands.
- The integrated support stand is intended to support the appliance on a flat surface when the product is switched off only. The appliance must not be switched on or operated while placed on a surface sensitive to heat (such as wood or fabric etc).
- This appliance is not intended for use by infirm persons (including children) with reduced physical, sensory or mental capabilities, or lack of experience and knowledge, unless they have been given supervision or instruction concerning use of the appliance by a person responsible for their safety.
- Children should be supervised to ensure that they do not play with the appliance.

**IMPORTANT:** Always unplug the appliance when not in use or before cleaning. Do not leave unattended when plugged in or switched on. Do not place on any heat-sensitive surface and always allow to cool before storing away.

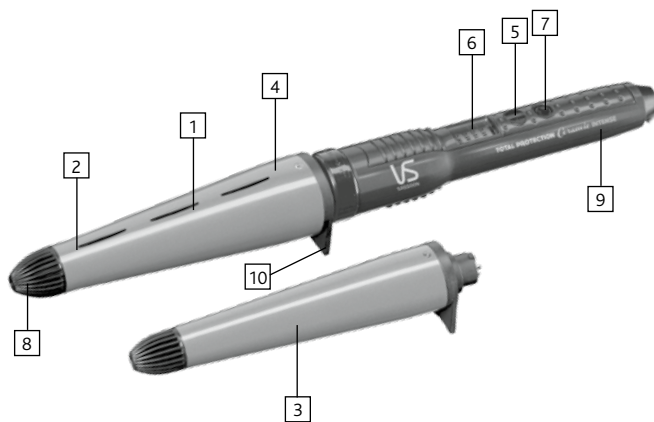
- Do not use any attachments other than those supplied by Conair Australia Pty Ltd.
- Use this appliance only for its intended use as described within this instruction booklet.
- This appliance is not intended for commercial use.
- Never drop or insert any object into an opening.
- Never block the air openings of the appliance or place on a soft surface such as a bed or couch, where the air openings may be blocked. Keep the air openings free of lint and other debris.
- Attachments may get hot during use. Allow them to cool before handling.
- Do not use outdoors or operate where aerosol (spray) products are being used or where oxygen is being administered.
- Keep the cord away from heated surfaces.
- Do not use an extension cord with this appliance.
- If the supply cord is damaged, it must be replaced by the manufacturer, its service agent or similarly qualified persons in order to avoid a hazard.
- After use do not wrap the cord around the appliance as in time this may cause the cord to fracture. Coil cord loosely by the side of the appliance in storage.
- Always ensure that the voltage to be used corresponds to the voltage marked on the unit.

## Salon Professional Curling Wand

This professional styler is simply brilliant. There's no clamp to fiddle with; just wrap your hair around the wand for a few seconds to create gorgeous big curls and natural waves - without any annoying kinks. This styler's secret is Wrap Control Technology which gently holds the hair around the wand, creating consistent, free-flowing curls with a silky and shiny finish.

The XL and slimline conical wands allow you to experiment with your look and create different styles by varying the size of the curl. The conical shape helps you to easily create a curls that is more defined towards the ends, giving a more natural result. Remember that the type of curl achieved depends not just on the size the barrel but also on the section of hair that you wind around the barrel of the wand. For looser, free-flowing curls, use bigger sections. For more defined, tighter curls, use smaller sections. For a modern and different look, try starting the curl a few inches down from the root, or leave the ends straight.

Spray your hair with hairspray or a heat protector for extra protection and hold prior to curling. To finish, wait for your freshly curled hair to cool down and then breakup using your fingers or a soft brush for a softer, more beachy look.



### Features:

1. Up to 200°C professional salon heat
2. Instant heat
3. Slimline 32mm conical barrel tapering to 19mm
4. XL 44mm conical barrel tapering to 25mm
5. Digital temperature control with 5 variable LED settings: + and - buttons (from 140°C - 200°C.)
6. LED variable temperature display
7. On/off button
8. Cool touch tip
9. Automatic safety cut off system
10. Counter Rest
11. Heat protective finger glove (not shown)

## How to use your Curling Wand

1. Remove all packaging and point of sale labels before use.
2. A plastic cover has been placed over the plug to protect it from damage during transportation. Remove the plastic cover from the plug before use.
3. Ensure hair is clean and completely dry before using the appliance.
4. Comb through hair to prevent knots and tangles and then divide hair into equal sections.
5. Plug the appliance into a power outlet and press the on/off button to switch the appliance on. The LED display will instantly illuminate, and at this point the curler will start heating up.
6. Press the '+' or '-' button to adjust the temperature. The display LED light will change colour according to the temperature you select - please see "How to use the variable temperature settings" for more information. Once the selected temperature stops flashing, the curler has heated and you can begin styling your hair.

## To Curl Hair

For best results apply a light styling mousse, heat protector or a light mist of hair spray before styling hair.

1. Take a 2-3cm section of hair, starting 5cm from the scalp.
2. Wind the section of hair around the thicker portion of the barrel towards the cool tip.
3. Hold the end of the hair in place at the cool tip for 5-8 seconds depending on hair type, and then release. The silicone (XL barrel) wrap control on the barrel will assist to hold your hair in place. To set the curl, do not brush or comb hair until it cools.
4. Repeat process on additional sections of hair until you achieve the hair style you desire.

**N.B:** Some experimenting is necessary when using a curler for the first time or when changing to a different hair style.

5. Once the hair has cooled, separate curls using fingers for a softer look or brush out using a comb.
6. To turn the appliance off, press the on/off button. The LED display will turn off. Allow appliance to cool before storing.

## How to Change Styling Heads

The XL (25mm - 44mm) barrel is ideal for creating large voluminous curls. The slimline (19-32mm) conical barrel is ideal for more defined curls. You can combine both curls for a more natural look.

To change styling heads:

1. **IMPORTANT!** The element of the appliance will become very hot when plugged in and switched on. Before fixing or removing any attachments, ensure the appliance is cool, switched off and is unplugged.
2. Turn locking dial to the right to unlock
3. Pull attachment straight off the handle
4. Push other attachment into power handle. The counter rest should be flush against locking dial and facing downward.
5. Turn locking dial to the left to secure the attachment in place

**IMPORTANT :** A heat protective finger glove has been provided to help protect your hand from temporary contact with the barrel when wrapping the hair around the appliance. Please note that the heat-protective glove is designed to give only initial contact protection. Discomfort will be caused by prolonged contact with the hot surface. Never leave your curling wand unattended.

**NB:** This appliance has an automatic safety cut off system, which will automatically turn the appliance off if left switched on accidentally around 60 minutes. If this occurs, please wait for appliance to cool. Switch the appliance off and unplug the power cord. Plug the power cord in and switch the appliance on by pressing the 'on/off' button.

**IMPORTANT:** Hair that has been heavily bleached or chemically treated should only use the low heat settings on this product. Please consult your hairdresser on using heated appliances if you have any concerns about the condition of your hair.

**How to use the variable temperature settings**

The 5 variable temperature settings/digital heat control provide variable heat for many different hair types. These settings allow you to choose the required temperature setting according to your particular need and hair type.

Temperature Setting Guide	
Variable Temperature Control Settings	Hair Type
Power - 140°C – Green	Delicate, fine, bleached hair
Low setting - 155°C – Yellow	Thin, easy-to-curl hair
Medium setting - 170°C – Orange	Normal textured hair
High setting - 185°C – Red	Wavy, curly hair
Maximum setting - 200°C – Red	Hard-to-curl, very thick hair

**NB:** The heat-up time will vary depending on which temperature setting you select. It is suggested to use the lower heat settings when using the appliance for the first time.

**User Maintenance**

Your styler is designed for household use and is virtually maintenance free. No lubrication is needed. If cleaning becomes necessary, disconnect the appliance from the power outlet. Allow the appliance to cool and wipe exterior with a cloth. If any abnormal conditions occur, allow to cool and return to your place of purchase.

**Limited 3 Year Warranty**

This product is subject to the express warranty given on the warranty card included with the product, as may be amended by reference to and in accordance with the terms of the warranty cards displayed on VS Sassoon website [www.vssassoon.com.au](http://www.vssassoon.com.au)

To make a warranty claim you must retain your proof of purchase. Further details can be found at [www.vssassoon.com.au](http://www.vssassoon.com.au) and click on 'customer service'.



Get more from your styling tools, visit  
**[www.vssassoon.com.au](http://www.vssassoon.com.au)**  
 for news, styling tips and much more.

Vidal Sassoon and related logos are trademarks of The Procter & Gamble Company used under license by Conair ©2014 Conair Australia Pty. Ltd. Suite 101, 18 Rodborough Rd Frenchs Forest NSW, 2086 Customer Service Hotline (Australia): 1800 650 263 Customer Service e-mail: [aus\\_info@conair.com](mailto:aus_info@conair.com) Conair New Zealand Ltd., PO Box 251159, Pakuranga, Auckland, 1706, New Zealand Customer Service Hotline (New Zealand): 0800 266 247

VS1273CA

instruction booklet  
**TOTAL PROTECTION**  
*Ceramic* **INTENSE**  
**Salon Professional Curling Wand**

VS1273CA