

# VS

SASSOON

FOR MEN



## I-GROOM ALL-IN-ONE GROOMING SYSTEM

Model VS7836A

## IMPORTANT SAFETY INSTRUCTIONS

When using electrical appliances, especially when children are present, basic safety instructions should always be followed, including the following:

Polythene bags over product or package may be dangerous.

To avoid danger of suffocation, keep this wrapper away from babies and children. This bag is not a toy.

**DANGER:** When the unit is used in a bathroom, unplug it after use since the proximity of water presents a hazard even when the appliance is switched off.

**WARNING:** Do not use or leave the AC power adaptor in a position where it can become wet or there is a danger of it falling into a basin or other vessels containing water.



- Take care to avoid contact between the moving blades of the unit and the skin, paying particular attention to the face, neck and hands.
- This appliance is not intended for use by persons (including children) with reduced physical, sensory or mental capabilities, or lack of experience and knowledge, unless they have been given supervision or instruction concerning use of the appliance by a person responsible for their safety.
- Children should be supervised to ensure that they do not play with the appliance.

**IMPORTANT:** Always unplug the appliance when not in use or before cleaning. Do not leave unattended when plugged in or switched on. Do not place on any heat sensitive surface.

- Do not use any attachments other than those supplied by Conair Australia Pty Ltd.
- Use this appliance only for its intended use as described within this instruction booklet.
- Always unplug the appliance when fully charged.
- This appliance is not intended for commercial use.
- Never drop or insert any object into an opening.
- Do not use the appliance with damaged or broken attachment combs or with any teeth missing from the blades, as injury may occur.
- Do not place on any surface while it is operating.
- Do not use outdoors or operate where aerosol (spray) products are being used or where oxygen is being administered.
- Keep the cord away from heated surfaces
- Do not use the appliance if it is damaged. In the event of damage, discontinue use immediately and contact your dealer for instructions on returning it for examination or exchange. If the supply cord is damaged, it must be replaced by the manufacturer, its service agent or similarly qualified person in order to avoid a hazard.
- Never twist or pull on the trimmer cord.
- After use do not wrap the cord around the appliance as in time this may cause the cord to fracture. Coil cord loosely by the side of the appliance in storage.
- Always ensure that the voltage to be used corresponds to the voltage marked on the unit.
- For additional protection, the installation of a residual current device (RCD) with a rated operating current not exceeding 30mA is advisable in the electrical current circuit supplying the bathroom. Ask your installer for advice.

## **I-GROOM**

### **ALL-IN-ONE GROOMING SYSTEM**

Thank you for purchasing the VS For Men i-groom all-in-one grooming system, a revolution in body groom design that empowers you with a new level of custom control.

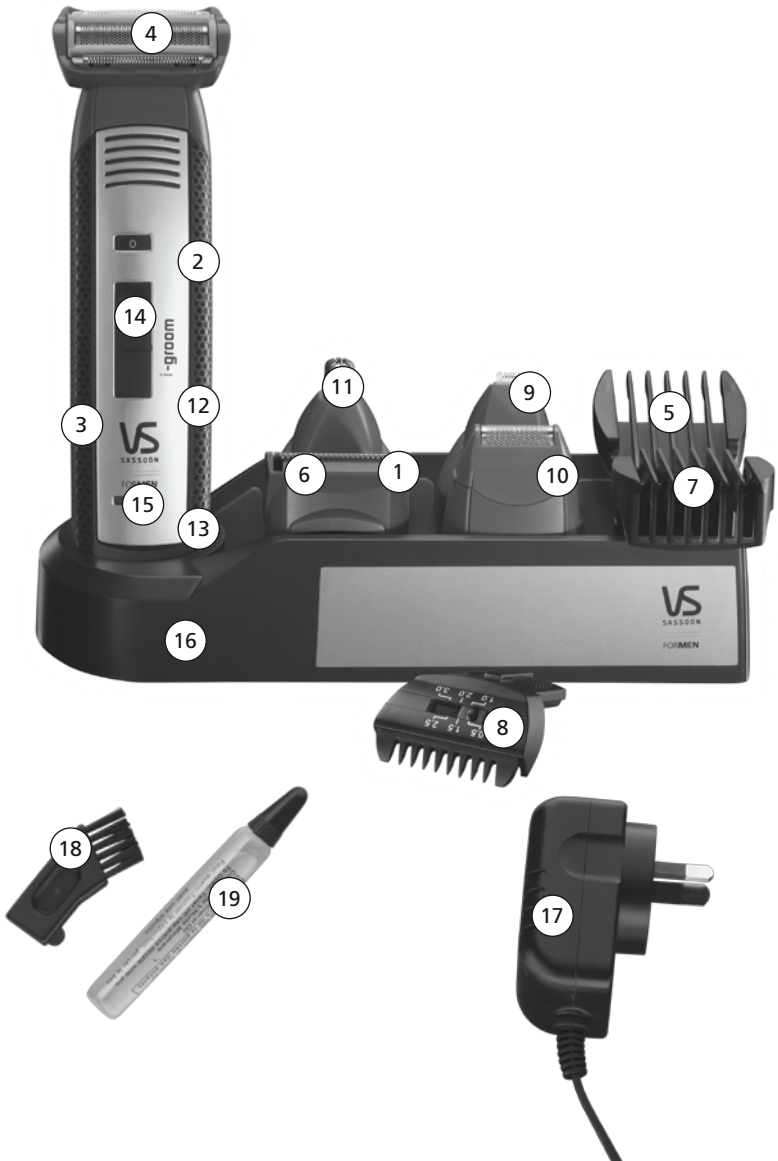
Featuring a 100% waterproof design and 25 precision settings – 20 precision cutting length settings from 0.5mm to 15mm and 5 interchangeable attachments, this all-in-one grooming system has been specially designed to meet men's unique grooming needs.

#### **FEATURES:**

1. 'Hard Like Diamond' (HLD) carbon coated stainless steel blades with Titanium
2. 100% waterproof design can be used wet in the shower or simply use dry
3. High performance professional DC motor
4. Hypoallergenic foil shaver with dual independent trimmers and Titanium coating,
5. Bodygroomer comb guide with 7 settings (3mm to 15mm)
6. 32mm trimmer blade attachment
7. Facial trimmer comb guide with 7 settings (2mm to 14mm). Includes integrated stubble comb
8. Precision facial trimmer comb guide with 6 settings (0.5mm to 3mm)
9. Tramliner blade attachment
10. Facial shaver attachment
11. Rotary blade attachment
12. Rechargeable Ni-Mh battery
13. Cord/cordless design
14. On/Off switch
15. Charging indicator light
16. Recharging/storage stand
17. AC power adaptor

#### **ACCESSORIES:**

18. Cleaning brush
19. Lubricating oil



## INSTRUCTIONS FOR USE

- A plastic cover has been placed over the plug to protect it from damage. Remove the plastic cover before inserting into a suitable power outlet.
- Always inspect the appliance to ensure the trimmer heads are free from hair, etc. Check also signs of damage and ensure that the blades are running smoothly.
- If the blades have been rinsed under water, ensure that the blades are properly oiled.
- Ensure the appliance is switched off before plugging into a suitable power outlet.

### CHARGING THE TRIMMER (FOR CORDLESS OPERATION)

**NB - ENSURE THE POWER HANDLE IS COMPLETELY DRY BEFORE RECHARGING.**

**IMPORTANT:** Before using the appliance for the first time, charge for a full 16 hour continuous charge. Maximum battery capacity will only be reached after 3 charging and discharging cycles. After 3 cycles, the trimmer must still be charged for 16 hours. In order to maintain optimum capacity of the rechargeable batteries, every 3 months the trimmer should be recharged for 16 hours.

The charging cord can be placed into the recharging/storage stand (as assembled) or removed and placed directly into the base of the trimmer.

1. Plug the AC power adaptor into a 100v - 240v power supply.

2. When the appliance is switched off, place the appliance onto the recharging/storage stand or plug the adaptor directly into the base of the trimmer.
3. Switch the adaptor on and the green LED charging light on the trimmer will illuminate to indicate that the adaptor is correctly inserted into the trimmer and connected to the mains power supply.
4. A 16 hour full charge will provide 30 minutes usage time.

### **INSERTING THE ADAPTOR CORD INTO THE STAND**

1. Remove the trimmer, attachments and accessories from the stand.
2. Hold the recharging/storage stand upside down.
3. Insert the adaptor plug into the hole on the base of the stand and push firmly into position.
4. Route the cord through the channel on the base of the stand.
5. Place your thumb on the hinged back cover and push the cover over the adaptor plug (to the right) to secure the cord and plug in place.

### **CORDED USE – OPERATION WITH POWER CORD**

1. Remove the AC power adaptor from the recharging/storage stand. To do this, turn the base over to the underside with the cord facing you. Using your thumb, push the hinged back cover to the left until it pivots clear of the inserted plug adaptor. Pull the plug upwards and remove from the base.
2. Plug the AC power adaptor directly into the base of the trimmer.
3. Plug the AC power adaptor into a 100v – 240v power supply. Switch the power on, and the trimmer can now be used in cored operation.

**NOTE:** If battery power is weak, wait about 2 minutes before switching the trimmer on.

**NB – NEVER USE THE TRIMMER IN CORDED OPERATION IF YOU INTEND TO USE THE TRIMMER IN THE SHOWER OR UNDER RUNNING WATER, AS THIS WILL CAUSE INJURY.**

### **CHANGING THE ATTACHMENTS**

1. Before changing any of the attachments, ensure that the appliance is switched off.
2. To remove an attachment head, using both hands, hold the handle of the appliance so that the back of the trimmer is facing you and both your thumbs are positioned on the bottom of the attachment. Push the attachment up until it un-clicks, then pull the head back and away from the handle.
3. To attach an attachment head, place the attachment head over the top of the handle, ensuring that the plastic lug is positioned at the back. Slide the attachment head down until it clicks into place.

## WHAT ATTACHMENTS TO USE

	Hypoallergenic Foil Shaver	32mm Trimmer Blade	Tramliner Blade	Facial Shaver	Rotary Blade
<b>Bodyzones:</b> *Chest and Stomach *Back and Shoulders *Underarms *Legs *Groin Area					
Beard					
Beard Line					
Stubble					
Moustache					
Neckline					
Sideburns					
Nose Hair					
Ear Hair					
Eyebrows					

## USING THE ATTACHMENTS AND COMB GUIDES

### Hypoallergenic Foil Shaver

The hypoallergenic foil shaver has been specially designed for shaving all bodyzones - chest and stomach area, back and shoulders, underarms, legs and the groin area. It will leave the skin feeling clean, smooth and refreshed. The dual independent trimmers on either side of the foil shaver are designed to shorten long hair and allow you to easily achieve precise shaving.

The 100% waterproof design makes it ideal for shaving body hair in the shower, for no mess grooming or as a dry shave. You can use shaving aids such as foam or gel with this product to achieve a cleaner, more refreshing shave.

1. Ensure the trimmer is switched off.
2. Attach the hypoallergenic foil shaver attachment.
3. For optimum results, it is recommended to trim the hair first if it is quite long (refer to '32mm Trimmer Blade and Bodygroomer Comb Guide' for further information).

**NB – Always inspect the foil whilst shaving for signs of damage. Never shave with a damaged foil as this may result in injury.**

#### Wet Shaving:

1. Thoroughly wet the body with warm water and apply foam or gel. This will help to lubricate the body and enable the shaver to glide across then skin for increased closeness and reduced irritation.
2. Move the shaver over the skin, applying minimal pressure only as this allows the hairs to be shaved much more quickly and cleanly. Do not press.
3. For the closest shave, shave against the direction of hair growth, or with the hair growth, whichever is preferred, but remember that hair grows in different directions.

4. Tilt the shaver up and down whilst shaving for best results.
5. Rinse the shaver regularly whilst shaving, keeping the appliance running whilst rinsing the head for faster cleaning.

#### Dry Shaving:

1. Ensure the hair is damp or dry.
2. Use your free hand to stretch the skin and make the hairs stand out.
3. Move the shaver slowly over the skin, applying minimal pressure and allow the shaver to fully shave tough areas of hair. Do not press.
4. For the closest shave, shave against the direction of hair growth, or with the hair growth, whichever is preferred, but remember that hair grows in different directions.

#### **32mm Trimmer Blade**

The 32mm trimmer blade is a universal blade that has been specially designed for precise trimming of body hair and facial hair styles. It features 'Hard Like Diamond' (HLD) carbon coated blades with Titanium that are engineered for exceptional precision and sharpness, with no need for oiling.

The 32mm trimmer blade can be used on its own (without a comb guide attachment) to:

- Trim body hair to the shortest length – 0.5mm
- Trim facial hair styles to the shortest length – 0.5mm.

To use the 32mm trimmer blade:

1. Ensure the trimmer is switched off.
2. Attach the 32mm trimmer blade attachment.
3. To trim body and facial hair styles to the shortest length, hold the

trimmer with the teeth of the trimmer pointing upwards, yet flat against the skin.

4. Move the trimmer upwards and outward through the hair, against the direction of hair growth, or with the hair growth, whichever is preferred, but remember that hair grows in many different directions.

### **32mm Trimmer Blade and Bodygroomer Comb Guide**

The 32mm trimmer blade attachment can be used with the bodygroomer comb guide to trim body hair to 7 different lengths – 3mm to 15mm settings.

1. Ensure the trimmer is switched off.
2. Attach the 32mm trimmer blade attachment.
3. Place the bodygroomer comb guide onto the back of the trimmer, ensuring that the two plastic lugs are aligned correctly over the top of the trimmer. Push the comb guide down until it clicks into place. The comb guide is now secured onto the trimmer and the longest cutting length should be shown – 15mm.
4. The cutting length is manually adjustable. The selected length in mm is displayed in white at the back of the trimmer. To change the cutting length, push in the middle section of the comb guide and adjust the comb guide up or down. Stop at the required cutting length when it is displayed at the back of the trimmer. The comb guide should then be secured at the selected cutting length.
5. To remove the comb guide, simply press in the middle section of the comb guide and push all the way to the top until you can remove it from the trimmer.

**NB – If you are using the trimmer for the first time, it is suggested to trim using the longest cutting length first, to avoid cutting hair shorter than required, until you are familiar with the cutting length setting.**

### **32mm Trimmer Blade and Facial Trimmer Comb Guide**

The 32mm trimmer blade attachment can be used with the facial trimmer comb guide to trim facial hair to 7 different lengths – 2mm to 14mm settings. This comb guide is perfect for creating a longer, more rugged look and for maintaining a full bearded look.

1. Ensure the trimmer is switched off.
2. Attach the 32mm trimmer blade attachment.
3. Place the facial trimmer comb guide onto the back of the trimmer, ensuring that the two plastic lugs are aligned correctly over the top of the trimmer. Push the comb guide down until it clicks into place. The comb guide is now secured onto the trimmer and the longest cutting length should be shown – 14mm.
4. The cutting length is manually adjustable. The selected length in mm is displayed in white at the back of the trimmer. To change the cutting length, push in the middle section of the comb guide and adjust the comb guide up or down. Stop at the required cutting length when it is displayed at the back of the trimmer. The comb guide should then be secured at the selected cutting length.
5. To remove the comb guide, simply press in the middle section of the comb guide and push all the way to the top until you can remove it from the trimmer.

### **32mm Trimmer Blade and Precision Facial Trimmer Comb Guide**

The 32mm trimmer blade attachment can be used with the precision facial trimmer comb guide to trim facial hair to the shortest length. It features 6 different length settings – 0.5mm to 3mm. This comb guide is perfect for creating a short, shadow stubble effect or a longer, designer stubble look (mid-length stubble).

1. Ensure the trimmer is switched off.
2. Attach the 32mm trimmer blade attachment.
3. Place the precision facial comb guide onto the back of the trimmer, ensuring that the two plastic lugs are aligned correctly over the top of the trimmer. Push the comb guide down all the way until it clicks into place. The comb guide is now secured onto the trimmer and the shortest cutting length should be shown – 0.5mm.
4. The cutting length is manually adjustable. Simply slide the switch located at the top of the comb guide. The 6 length settings are shown in mm on the top of the comb guide. As you adjust the comb guide cutting length sideways, the comb will move up or down. Ensure that when selecting a cutting length that the plastic is in-line with the mm setting.
5. To remove the comb guide, simply press in the middle section of the comb guide and push all the way to the top until you can remove it from the trimmer.

### **Tramliner Blade**

The tramliner blade is ideal for tidying sideburns, precision detailing and creating detailed hair/facial hair effects.

## **Facial Shaver**

The facial shaver attachment adapts perfectly to the contours of the face and is ideal for smooth skin and creating a clean, sharp edge to your stubble or any facial hair styles and for trimming hard to reach areas, particularly around the ears and nape of the neck. The foil shaver will leave the skin feeling smooth and refreshed, with reduced irritation.

NB – Always inspect the foil whilst shaving for signs of damage. Never shave with a damaged foil as this may result in injury.

1. Ensure the trimmer is switched off.
2. Attach the facial shaver attachment.
3. Use your free hand to stretch the skin and make the facial hairs stand out.
4. Move the shaver slowly over the skin, applying minimal pressure and allow the shaver to fully shave tough areas of hair. Do not press.
5. For the closest shave, shave against the direction of hair growth, or with the hair growth, whichever is preferred, but remember that hair grows in different directions.

## **Rotary Blade Attachment**

The rotary blade attachment features a rotary cutting action that provides safe, hygienic trimming of nose, ears and eyebrow hair.

To trim your nose and hair:

1. Ensure the trimmer is switched off.
2. Attach the rotary blade attachment and switch the trimmer on.
3. Gently insert the trimmer into your nostril or ear canal to trim unwanted hair.
4. Move the trimmer in and out of the opening of the nostril or ear canal using a circular motion, taking care not to come too close to the border of the nostril or ear.

**NB – Always turn the trimmer on BEFORE you insert into your nostril or ear canal to avoid painfully snagging hairs.**

**Never insert the trimmer more than 5-6mm into your nose or ear.**

**Using any deeper than this can cause injury.**

To trim your eyebrows:

1. Ensure the trimmer is switched off.
2. Attach the rotary blade attachment and switch the trimmer on.
3. Turn the trimmer onto the side and hold the trimmer sideways, of whichever is most comfortable for you to use.
4. Place the rotary blade at the ends of the eyebrow and gently trim the eyebrows against the direction of hair growth (or with the hair growth, whichever is preferred), holding the skin and allowing the hairs to stand out.

## **BEST CUTTING PERFORMANCE**

1. Always inspect the appliance before use for noticeable signs of damage. Do not use if damaged.
2. Ensure the attachment heads are free from hair, etc.
3. Ensure the trimmer is sufficiently charged.
4. Use on clean, hair that has been combed until tangle-free.
5. The trimmer will work most efficiently when cutting through hair at its own speed. Never force the trimmer.
6. Never switch the trimmer off whilst in the hair.

### **To Trim:**

1. Ensure the trimmer is switched off.
2. Attach the required attachment and comb guide, if required. If using more than one cutting length, start with the longest length first to avoid cutting hair shorter than required, until you are familiar with the cutting length setting.
3. Switch the trimmer on.
4. Hold the trimmer with the teeth of the trimmer pointing upwards, yet flat against the skin.
5. Trim the hairs using a downward motion, following the direction of hair growth, or against the hair growth, whichever is preferred.
6. Since all hair grows in different directions, you may want to try different trimming methods (i.e upwards, downwards or across).
7. After achieving the desired length, use a downward motion to blend and smooth the moustache hairs.
8. After trimming, lightly go over the trimmed area with the foil shaver to remove any short hairs remaining. You can also use the foil shaver to create a clean, sharp edge to your stubble, moustache or sideburns.





### **To Outline:**

1. Ensure the trimmer is switched off.
2. Attach the tramliner blade attachment and do not attach a comb guide.
3. Hold the trimmer upside down, gently flat against the skin.
4. Move the trimmer in a downward direction.
5. Having defined the outline, hold the trimmer with the teeth pointing upwards, yet flat against the skin and move the trimmer upwards against the direction of hair growth. This will then trim the unwanted hair adjacent to the outline.

For more information on grooming tips and to keep up to date with the latest products, visit **[www.vsformen.com.au](http://www.vsformen.com.au)**

## MULTI VOLTAGE

This appliance has a multi voltage feature for worldwide use. The voltage automatically converts for ease of use from 100v - 240v. This appliance has an automatic internal converter which will automatically convert the voltage without the need of a switch. A suitable plug adaptor will be required, please refer to the chart below.

Plug adaptor required	Voltage and plug adaptors	Country	Voltage setting
	British plug: 240V	Ireland, Great Britain, Singapore, South America, Hong Kong (parts only), Africa (parts only)	240V
	European plug: 240V	Asia, Europe, Middle East Noumea, Scandinavia, South America, Hong Kong (parts only)	240V
	Australian and New Zealand plug: 240V	Australia, New Zealand	240V
	American plugs: 120V	North America, Japan, Canada (parts of)	120V

## CLEANING AND MAINTENANCE

To ensure long lasting performance of your trimmer, it is important to clean the blades regularly.

1. Ensure the trimmer is switched off before cleaning.
2. Thoroughly brush or gently blow away any loose hair and debris that has built up on the blades.

**NB - ENSURE THE POWER HANDLE IS COMPLETELY DRY BEFORE RECHARGING.**

### **Cleaning and Oiling the Attachments:**

After each use, the attachments can be cleaned under cool running water. Simply attach the attachments one at a time to the trimmer handle and switch the unit on. Position the attachment head under cool running water and let the water remove any excess hair or debris that may have built up on the attachment. Do this for each of the attachments.

- Do not use hot water to clean the attachments.
- Dry immediately and shake off excess water, then dry with a cloth.
- Whilst the power handle is waterproof, it is recommended not to immerse unduly in hot soapy water.

NB – If the attachment heads are rinsed under water, the blades must be lubricated again using the lubricating oil provided. To oil the blades:

1. Attach a trimmer head to the handle.
2. Add a few drops of the oil supplied over the blades.
3. Switch the trimmer on for a minute and then turn off.
4. Wipe away any excess oil with a soft cloth.

5. Be careful not to use too much oil, and don't oil your trimmer more than necessary.
6. Oil the blades regularly to main optimum performance.
7. DO THIS FOR THE 32MM TRIMMER BLADE, TRAMLINER AND ROTARY BLADE ATTACHMENTS.
8. This light, natural oil is similar to oil used in sewing machines, which can be purchased from your local art and crafts store.

### **Comb Guides:**

- 1.Remove comb guides after use.
- 2.Use the cleaning brush to remove any hair from the guides.
- 3.The guides may be rinsed under running water, but must be completely dry before storage or use.

### **Hypoallergenic Foil Shaver and Facial Shaver:**

**NB – DO NOT RINSE OR OIL THE FOIL SHAVERS AS THEY ARE PERMANETLY LUBRICATED**

- 1.Remove the foil shaver from the trimmer handle after use.
  - 2.Gently tap the foil head to remove excess clippings.
- DO NOT BRUSH THE FOIL ITSELF, AS THIS WILL DAMAGE THE FOIL.**

## BATTERY DISPOSAL

The appliance contains Nickel Metal-Hydrate batteries. To protect the environment, the appliance must be disposed of safely at the end of its useful life. Please take the appliance to a recycling centre, where the internal rechargeable battery should be removed by a professional and recycled separately.



Ni-MH

For more information about the recycling of electrical and battery operated appliances, please contact your local council office or your household waste disposal service.

## LIMITED THREE YEAR WARRANTY

Conair Australia Pty Ltd. will repair or replace (at our option) your appliance free of charge for thirty six months from the date of purchase if the appliance is defective in workmanship or materials. This warranty is an additional benefit and does not affect your legal rights. To obtain service under this warranty, please fill in and return the Warranty Registration as instructed.

Vidal Sassoon and related logos are trademarks of  
The Procter & Gamble Company used under licence by Conair



©2010 Conair Corporation USA, 1 Cummings Point Road,  
Stamford, Connecticut 06902 USA

Conair Australia Pty Ltd, Suites 20 & 21,  
7 Narabang Way, Belrose NSW 2085.  
Australia Customer Service Hotline (Australia): 1800 650 263

Customer Service e-mail: [aus\\_info@conair.com](mailto:aus_info@conair.com)

Conair New Zealand Limited, PO BOX 251159, Pakuranga, Auckland  
1706 New Zealand  
Customer Service Hotline (New Zealand): 0800 266 247